



WELCOME

# HOME TO EXCELLENCE



ALUMINIUM DOORS, WINDOWS AND CURTAIN WALLING SYSTEM



[WWW.ALUEMPIRE.COM](http://WWW.ALUEMPIRE.COM)





## Leading the Way in Aluminium

As a global leader in the design, engineering, and distribution of aluminium windows, doors, and facade solutions, Alu Empire excels in addressing the complexities of modern building construction. With over 15 years of industry experience, we provide aluminium systems tailored to meet the specific challenges of each project, ensuring superior outcomes. Our steadfast commitment to excellence and innovation is reflected in our product range, meticulously designed to fulfill the unique demands of the Indian market. From design to installation, we offer expert guidance and unwavering support, working closely with you to achieve exceptional results.

## About Company

We have a dedicated and skilled team of executives who are the cornerstone of our company success. Our employees are selected for their expertise, prior experience, and domain proficiency. Working in close collaboration, our team ensures steady organizational growth by leveraging their skills and knowledge. We are rapidly expanding our business across the market and continually adding new clients to our portfolio. To further enhance our team's capabilities, we regularly conduct workshops, seminars, and development programs.

- Showrooms : Faridabad, Jaipur & Kishangarh
- Sales Offices : Haryana , Rajasthan
- Factory Area : 30,000 sq. ft.

Based out of Faridabad, Haryana, Alu Empire is committed to excellence and innovation in the interior products industry.





BRIGHTEN YOUR SPACE,  
LIGHTEN YOUR IMPACT

**ECO-FRIENDLY ALUMINIUM**

**DOORS AND WINDOWS**

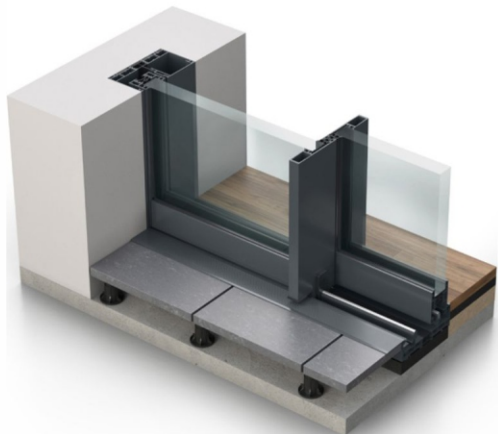


# SLIDING DOORS AND WINDOWS

## S146LM

### INFINEO FRAMELESS SLIDING DOOR

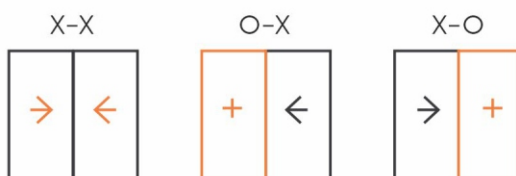
The Infineo inline sliding door offers premium contemporary design with minimal sightlines marking a super sleek upgrade on standard aluminium sliding doors.



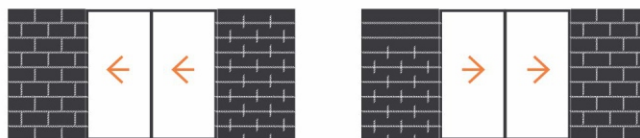
#### APPLICATIONS

2 Track 2 Shutter

#### CONFIGURATIONS



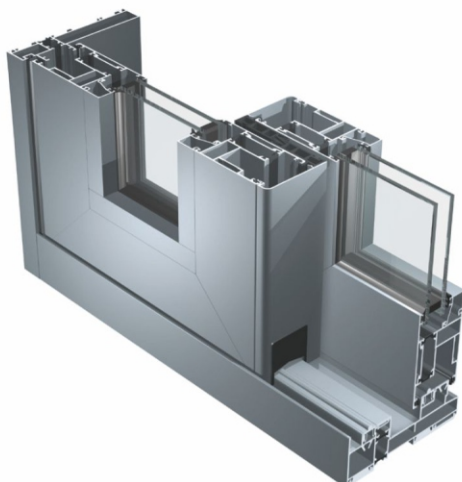
Wall Pocket



## SC140

### LIFT & SLIDE SYSTEMS

The SC140 series offers sliding door solutions for lift and slide applications as well as large normal sliders.



#### APPLICATIONS

Windows & Balcony Doors

2 Track 2 Sashes

3 Track 4 Sashes

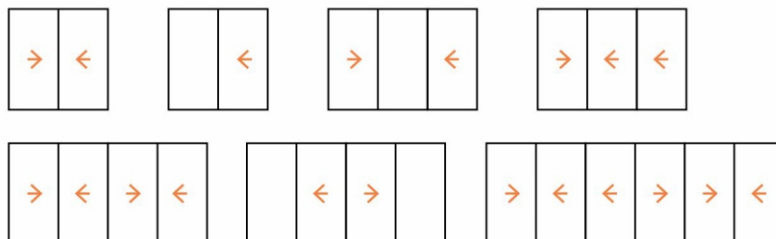
Sliding and fixed combination

2 Track 3 Sashes

3 Track 6 Sashes

Lift and slide or slide only

#### CONFIGURATIONS



CHOOSE THE RIGHT  
PROFILE BASED ON  
YOUR APPLICATION



EASY CARE AND MAINTENANCE



EASY INSTALLATION



## S115NI

### SLIDING WINDOWS & DOOR SYSTEMS

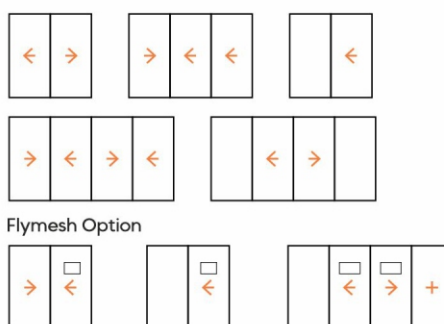
The S115NI range offers improved safety, energy efficiency, and aesthetics. It provides the option for thicker glass and high acoustic insulation, enhancing the indoor environment.



#### APPLICATIONS

- 2 Track 2 Shutter
- 2.5 track 2 Glass 1 Mesh
- 2 Track 4 Shutter
- 2.5 track 4 Glass 2 Mesh

#### CONFIGURATIONS



## SC95

### SLIDING WINDOWS & DOOR SYSTEMS

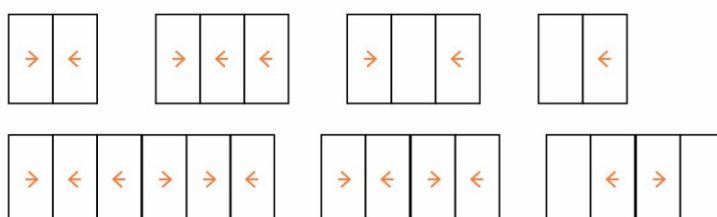
The SC95 sliding system from Alu Empire is a high-performing solution with versatile options. It offers slim profiles, exceptional weather performance, and a wide range of configurations.



#### APPLICATIONS

- 2 Track 2 Shutter
- 2 Track 3 Shutter
- 2 Track 4 Shutter
- 3 Track 3 Shutter
- 3 Track 6 Shutter

#### CONFIGURATIONS



CHOOSE THE RIGHT  
PROFILE BASED ON  
YOUR APPLICATION



EASY CARE AND MAINTENANCE



EASY INSTALLATION





# SC45

## SLIDING SYSTEMS

The SC45 sliding system is slim, efficient, and elegant. It stands out with its innovative esthetics and technical concepts, providing a unique solution.



### APPLICATIONS

- 2 Track 2 Shutter
- 2 Track 3 Shutter
- 2 Track 4 Shutter
- 3 Track 3 Shutter
- 3 Track 6 Shutter
- 4 Track
- 2 1/2 Track also available

### CONFIGURATIONS



# SC40

## SLIDE SYSTEMS

The SC40 sliding window system is slim, solid, and durable, ensuring long-lasting strength and performance.



### APPLICATIONS

- 2 Track 2 Shutter
- 2 Track 3 Shutter
- 2 Track 4 Shutter
- 3 Track 3 Shutter
- 3 Track 6 Shutter
- 2 1/2 Track also available

### CONFIGURATIONS



CHOOSE THE RIGHT PROFILE BASED ON YOUR APPLICATION



EASY CARE AND MAINTENANCE



EASY INSTALLATION







# CASEMENT WINDOW & DOOR SYSTEM

## 45DS

### CASEMENT WINDOWS & DOOR SYSTEMS

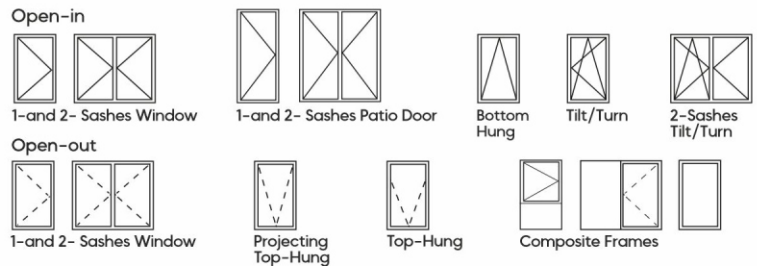
The Alu Empire 45DS casement series offers optimized design and high performance with a variety of configurations, including tilt and turn options, and can be seamlessly integrated with Alu Empire SC45 sliders.



#### APPLICATIONS

- Fixed Window
- Side Hung Window single sash & double sash
- Casement Door Single sash & Double sash
- Integrated with SC45 sliders window
- Door Variable angle window
- Integrated (Double window - Open In with mesh, Open out with glass shutter)
- Top Hung
- 2 Tilt & Turn

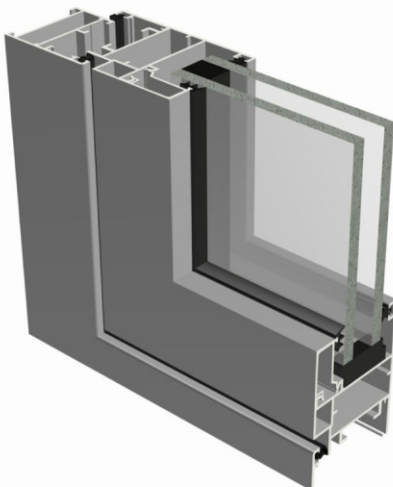
#### CONFIGURATIONS



## 40N

### CASEMENT WINDOWS & DOOR SYSTEMS

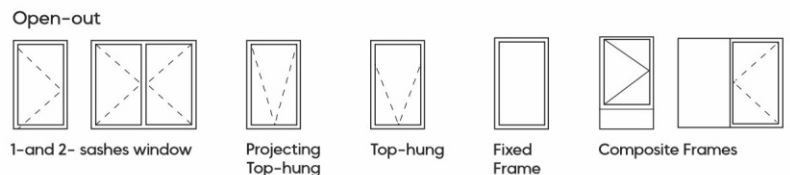
The Alu Empire 40N casement window system combines affordability, aesthetics, and functionality. With options for single or double glazing, it offers a versatile solution for various applications.



#### APPLICATIONS

- Fixed Window
- Side hung
- Single sash & Double sash
- Top hung open out
- Side hung window open out

#### CONFIGURATIONS



CHOOSE THE RIGHT PROFILE BASED ON YOUR APPLICATION



EASY CARE AND MAINTENANCE



EASY INSTALLATION



# FOLDING DOORS

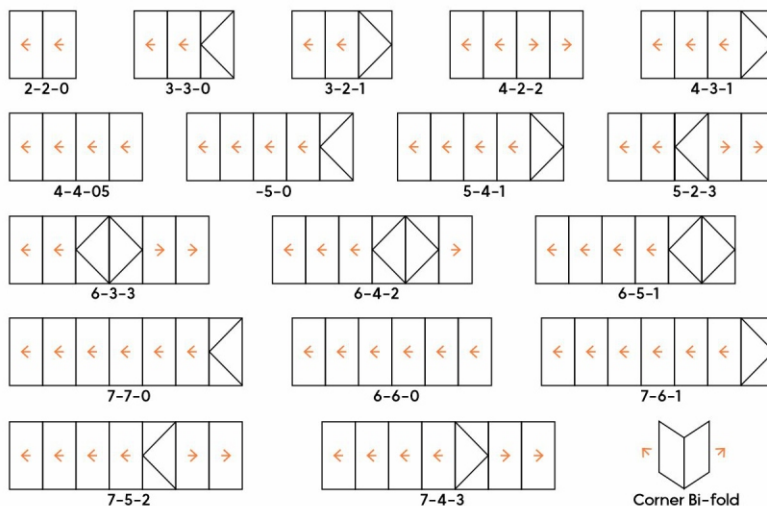
## BFS70

### FOLDING DOORS

The BSF70 aluminium folding door system offers versatility and flexibility in various configurations. With its narrow profile and high-quality design, it allows for maximum glazing and abundant natural light.



#### CONFIGURATIONS



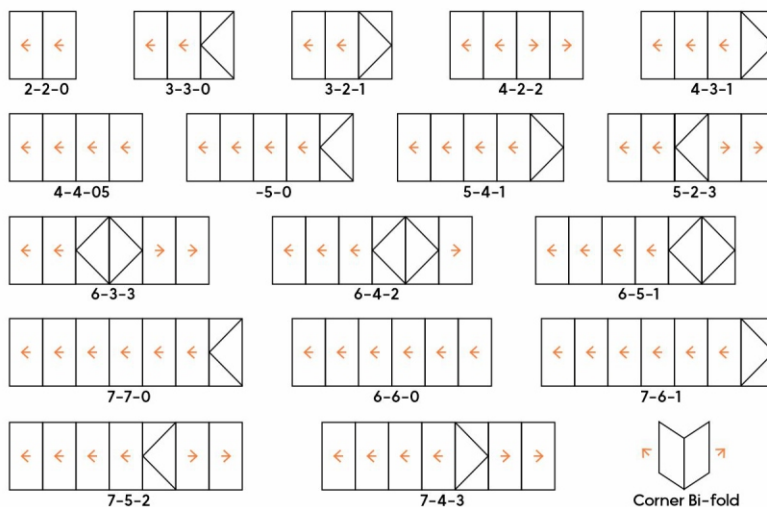
## 45V

### FOLDING DOORS

The Alu Empire 45V folding door system offers an elegant and innovative solution for balcony doors. It eliminates the separation between indoor and outdoor environments, creating a wide opening.



#### CONFIGURATIONS



CHOOSE THE RIGHT PROFILE BASED ON YOUR APPLICATION



EASY CARE AND MAINTENANCE



EASY INSTALLATION

for more details log on to : [www.aluempire.com](http://www.aluempire.com)





# CURTAIN WALLING SYSTEMS

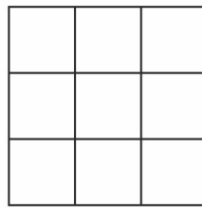
## SG50

### STRUCTURAL GLAZING

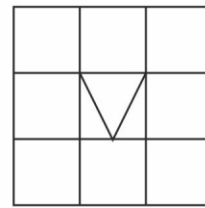
The SG50 Curtain Walling System is a structurally-glazed solution designed to offer high performance. Our aluminium curtain walls enable specifiers to create impressive facades that not only enhance the aesthetics of a building but also provide the functionality and performance required to meet and exceed current standards.



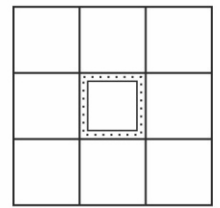
### CONFIGURATIONS



Fixed Glazing



Fixed Glazing with Top Hung Window



Fixed Glazing with Pop Out Window

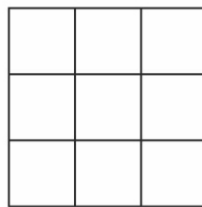
## SL50

### CONVENTIONAL CURTAIN WALL

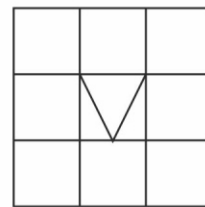
The SL50 system, with mullions and transoms with a width of 50 mm is designed to create vertical, inclined and polygonal curtain walls and winter-gardens. The series includes a full range of profiles to suit any type of static requirement, wind load, and is a traditional system comprising mullion, transom, pressure plate and cover cap with different designs.



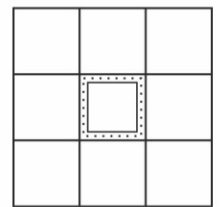
### CONFIGURATIONS



Fixed Glazing



Fixed Glazing with Top Hung Window



Fixed Glazing with Pop Out Window



CHOOSE THE RIGHT PROFILE BASED ON YOUR APPLICATION



EASY CARE AND MAINTENANCE



EASY INSTALLATION

for more details log on to : [www.aluempire.com](http://www.aluempire.com)











## OUR SHOWROOMS

### FARIDABAD

Opening Soon

### KISHANGARH

Katla Bazar Madanganj,  
Kishangarh, Rajasthan - 305801

### JAIPUR

Shop No. 226,227, New Aatish  
Market, Gopalpur Bye Pass,  
Jaipur, Rajasthan - 302019

### CORPORATE OFFICE

Plot No. 18, Gali No.1, Pali Road Bhakri, Asharam Bapu Ashram,  
Sikri Industrial Area, Faridabad, Haryana - 121004

E-mail : [info@aluempire.com](mailto:info@aluempire.com)

Call us : +91 9654963917 , +91 9891842026 , +91 7011292968

[WWW.ALUEMPIRE.COM](http://WWW.ALUEMPIRE.COM)